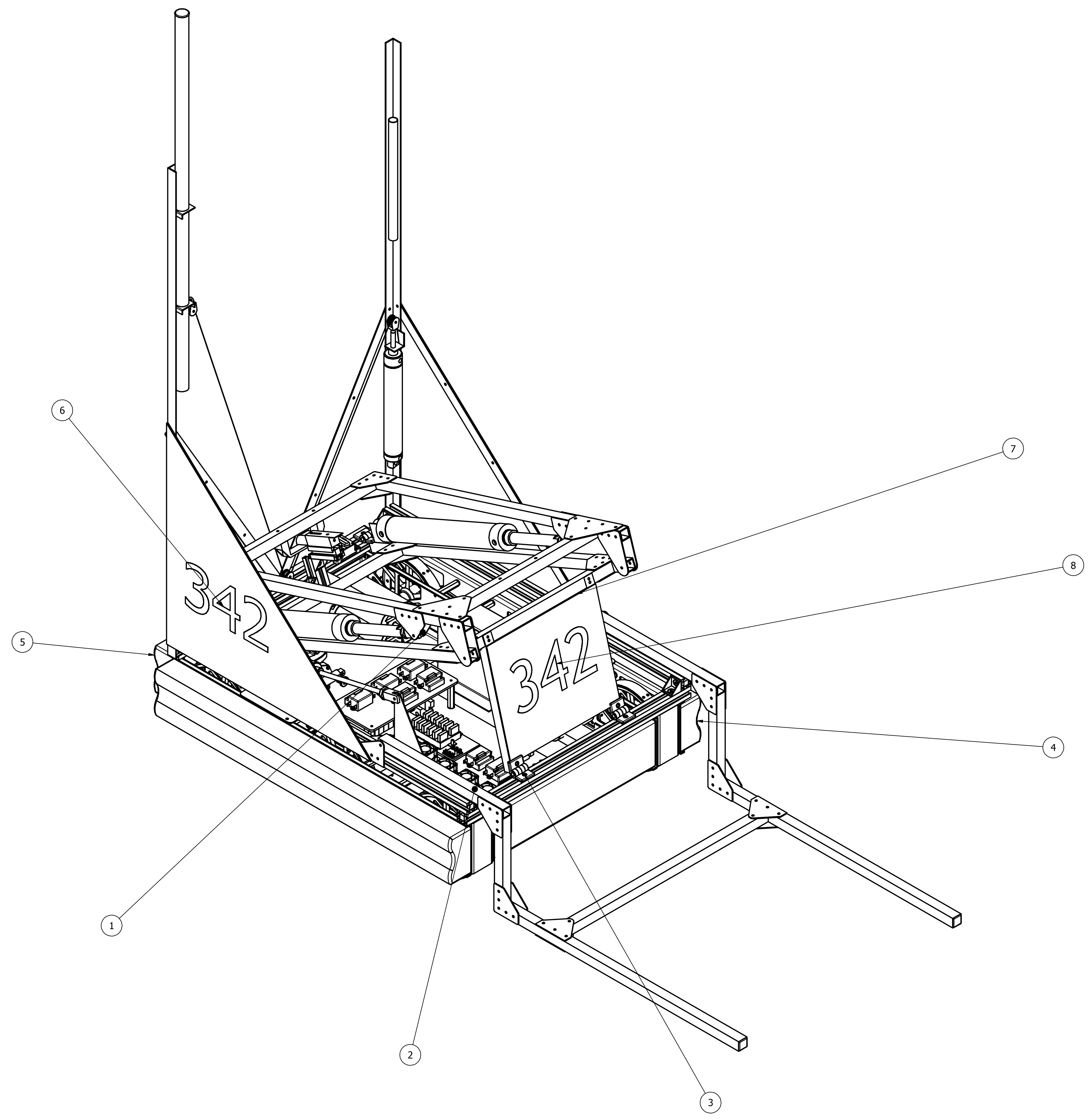


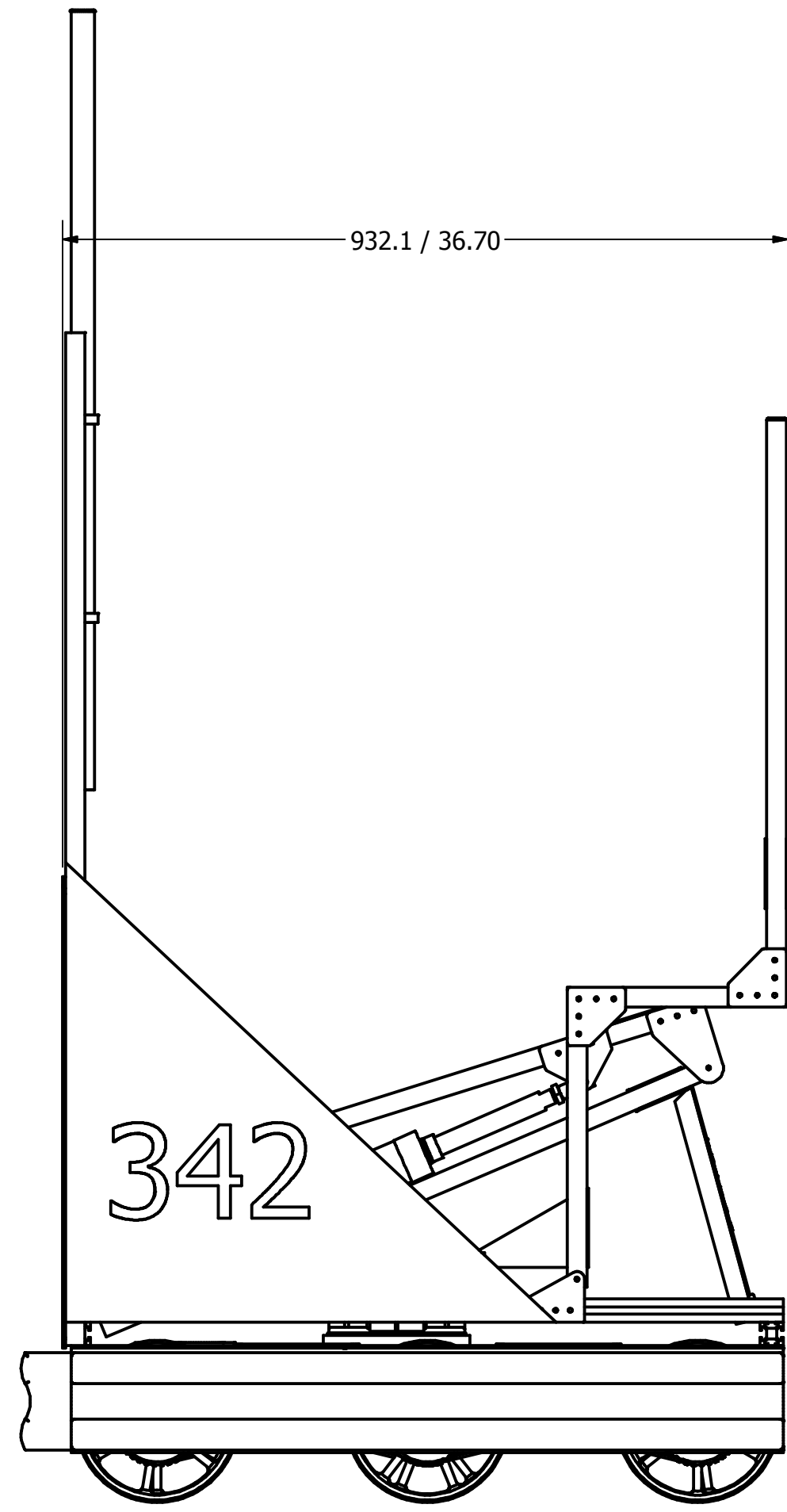
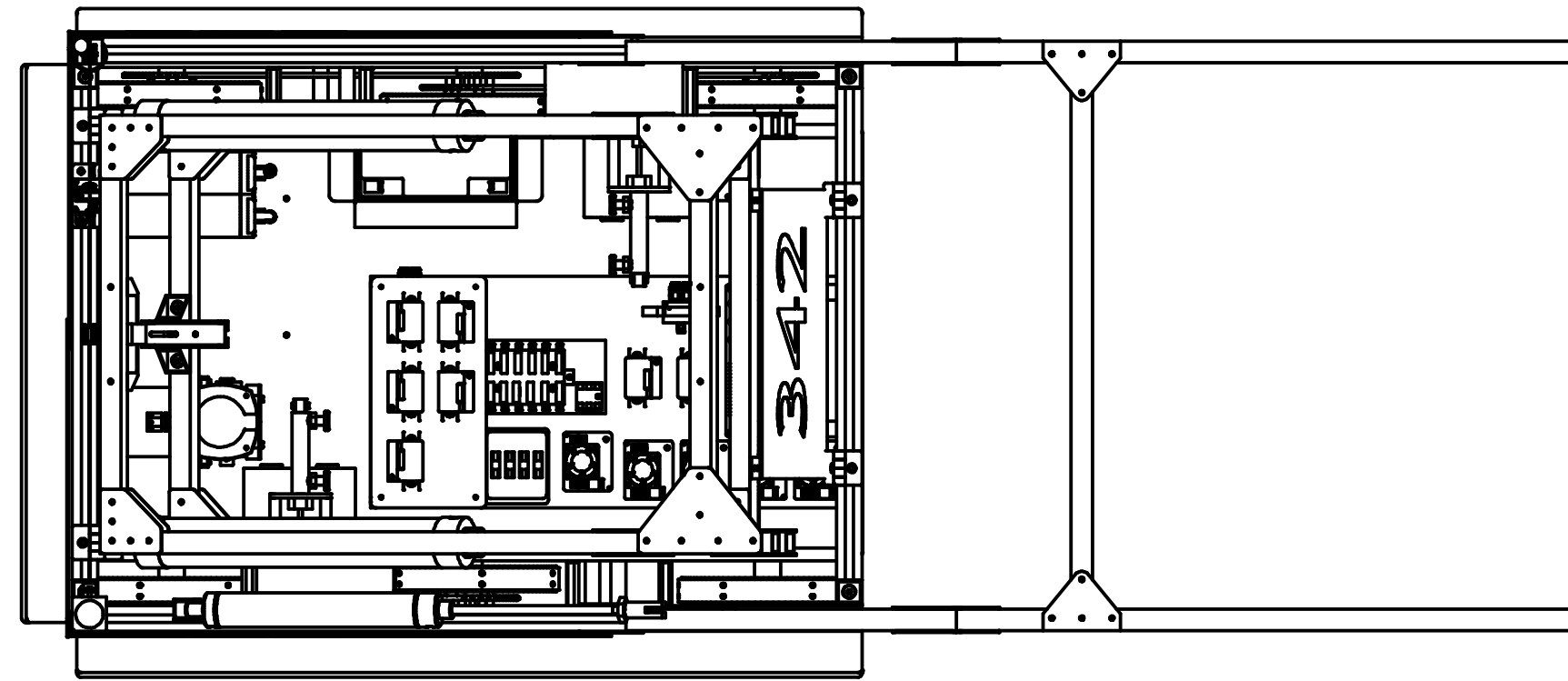
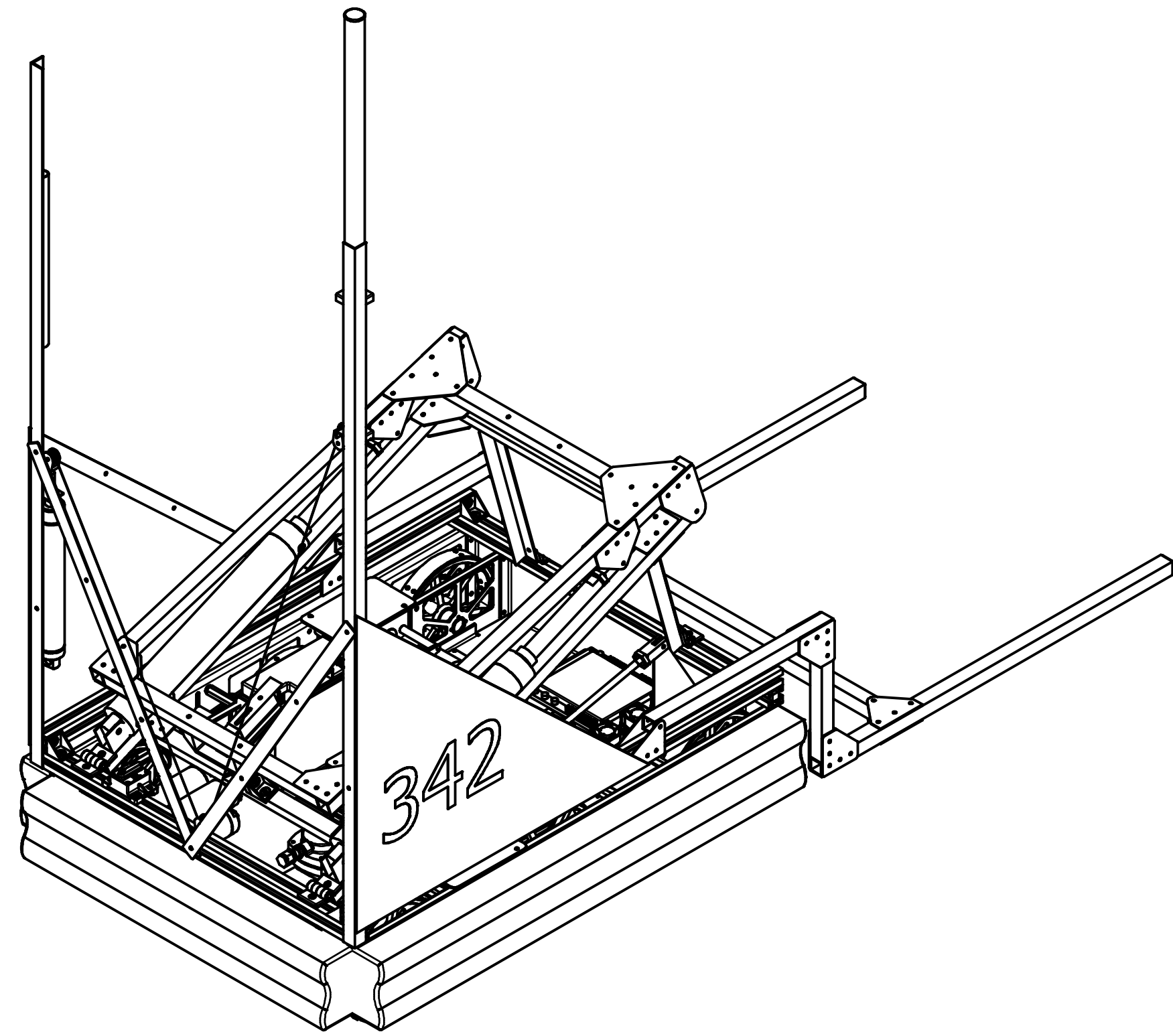
PRODUCED BY AN AUTODESK EDUCATIONAL PRODUCT

PRODUCED BY AN AUTODESK EDUCATIONAL PRODUCT

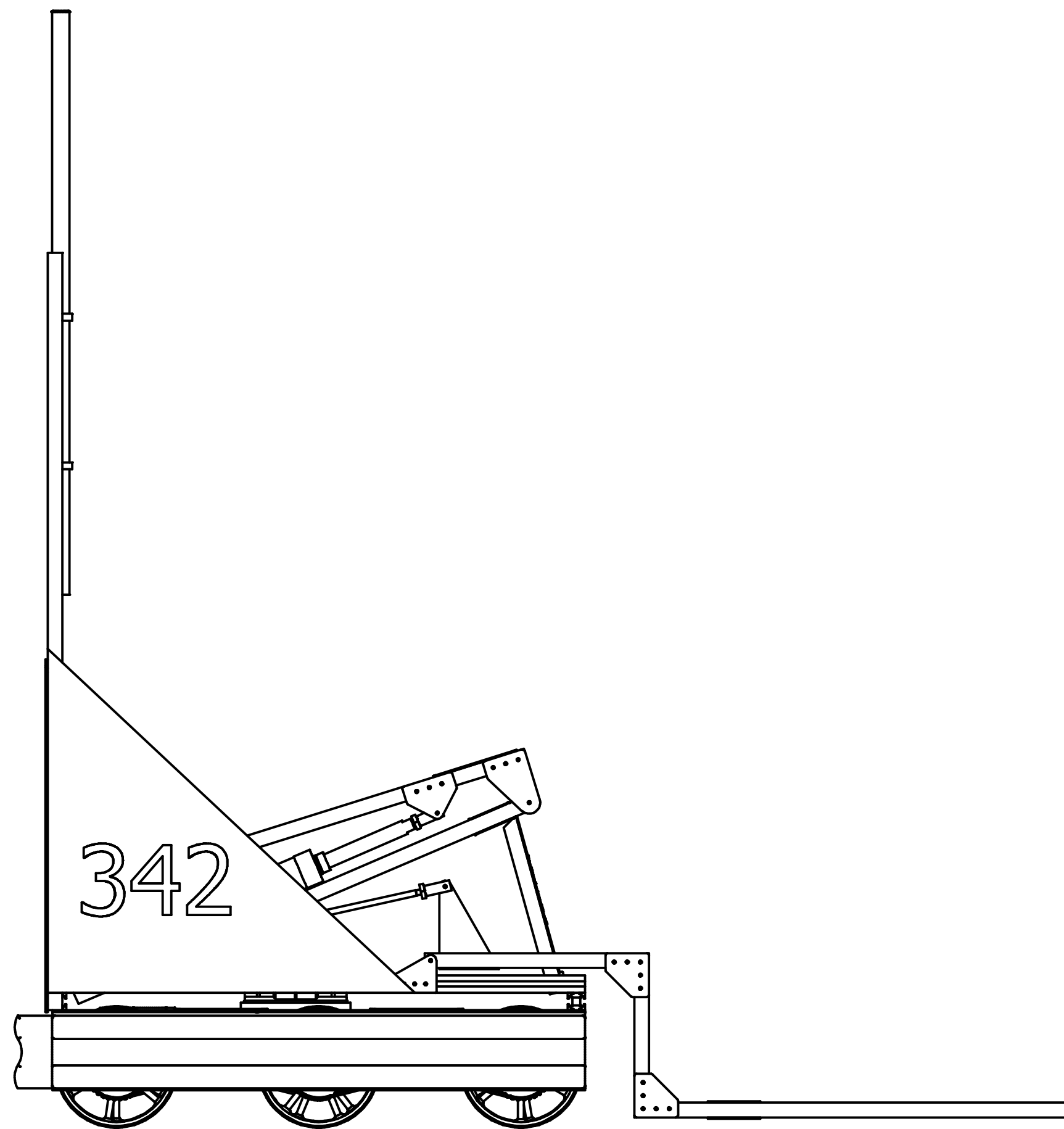


Parts List			
ITEM	QTY	PART NUMBER	DESCRIPTION
1	1	08-010-014	MAIN ROBOT CHASSIS ASSEMBLY
2	2	08-010-008	MAIN WHEEL SYSTEM ASSEMBLY
3	1	08-020-266	MAIN ROBOT ARM ASSEMBLY
4	2	08-030-003	SIDE BUMPER
5	1	08-030-004	BACK BUMPER
6	1	08-030-001	SIDE LEXAN PANEL
7	1	08-030-002	SIDE LEXAN PANEL
8	1	08-030-005	SIDE BUMPER

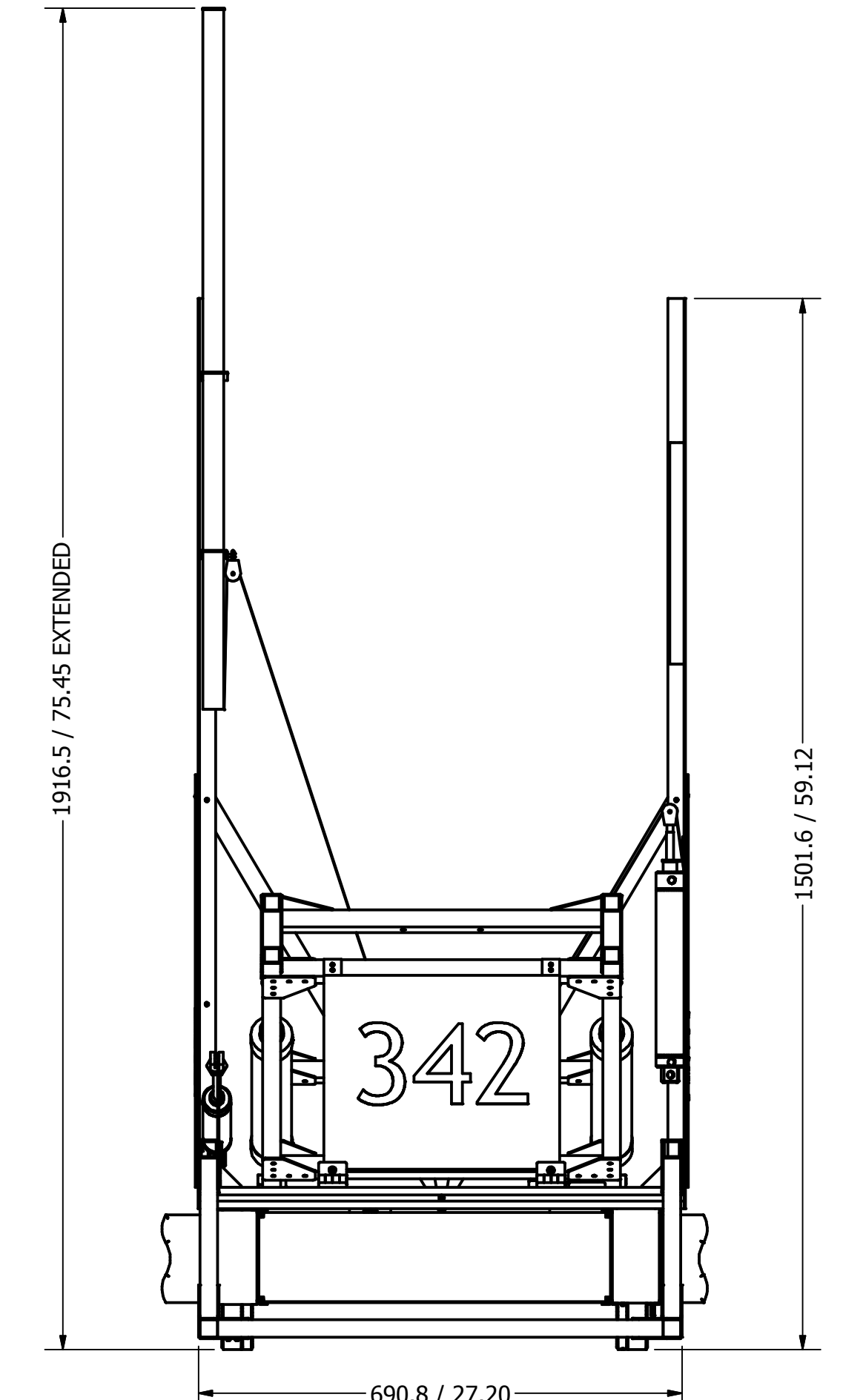
DRAWN TEAM 342	2/25/2008	TITLE	
CHECKED		TEAM 342 FINAL ROBOT ASSEMBLY	
QA		SIZE	DWG NO
MFG		D	08-050-003
APPROVED		SCALE	REV



FORKS RAISED



FORKS LOWERED



VIEW A-A
SCALE 1:8

DRAWN	TEAM 342	2/25/2008	TITLE	
CHECKED			TEAM 342 FINAL ROBOT ASSEMBLY	
QA			SIZE	DWG NO
MFG			D	08-050-003
APPROVED			SCALE	REV

PRODUCED BY AN AUTODESK EDUCATIONAL PRODUCT

PRODUCED BY AN AUTODESK EDUCATIONAL PRODUCT