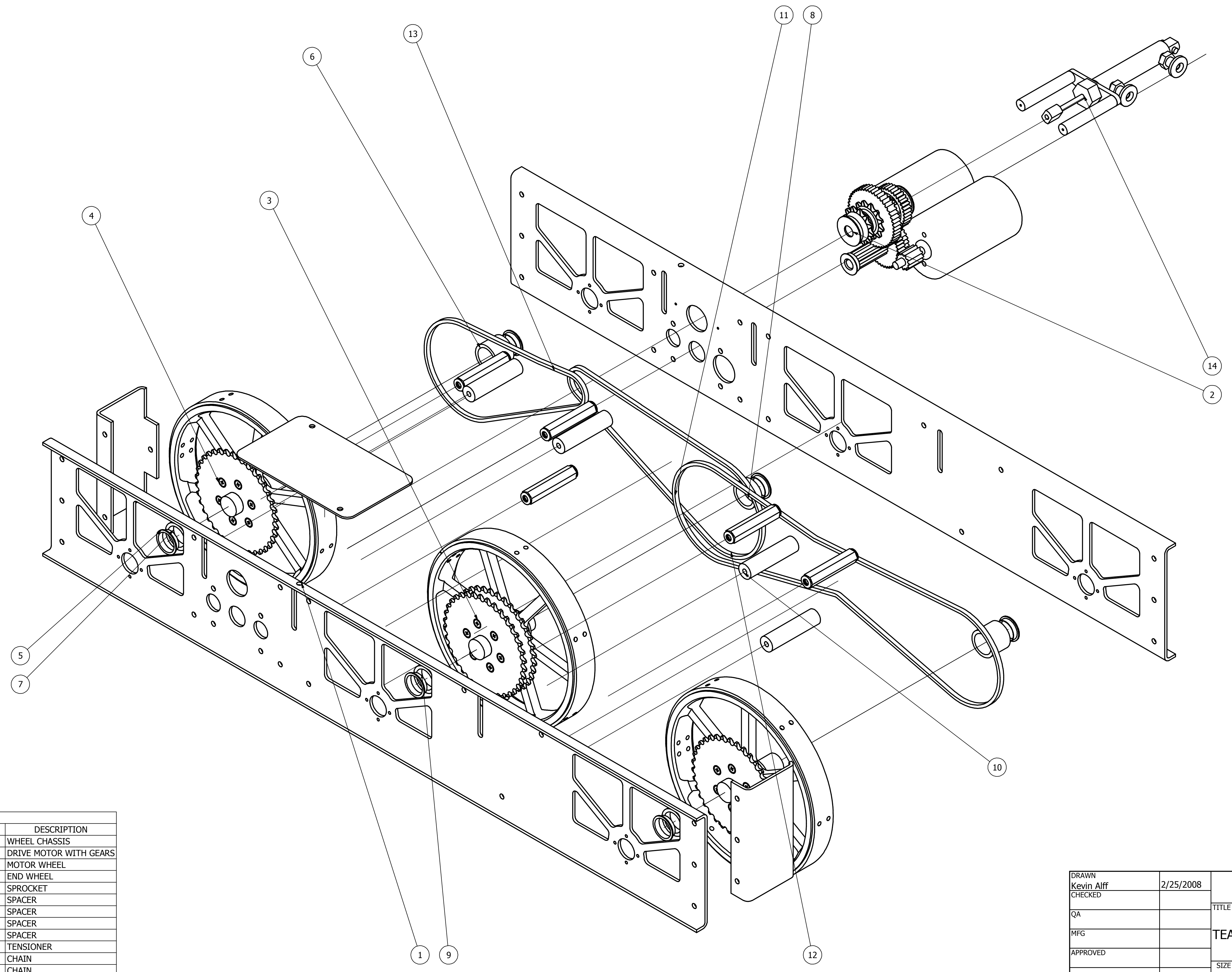


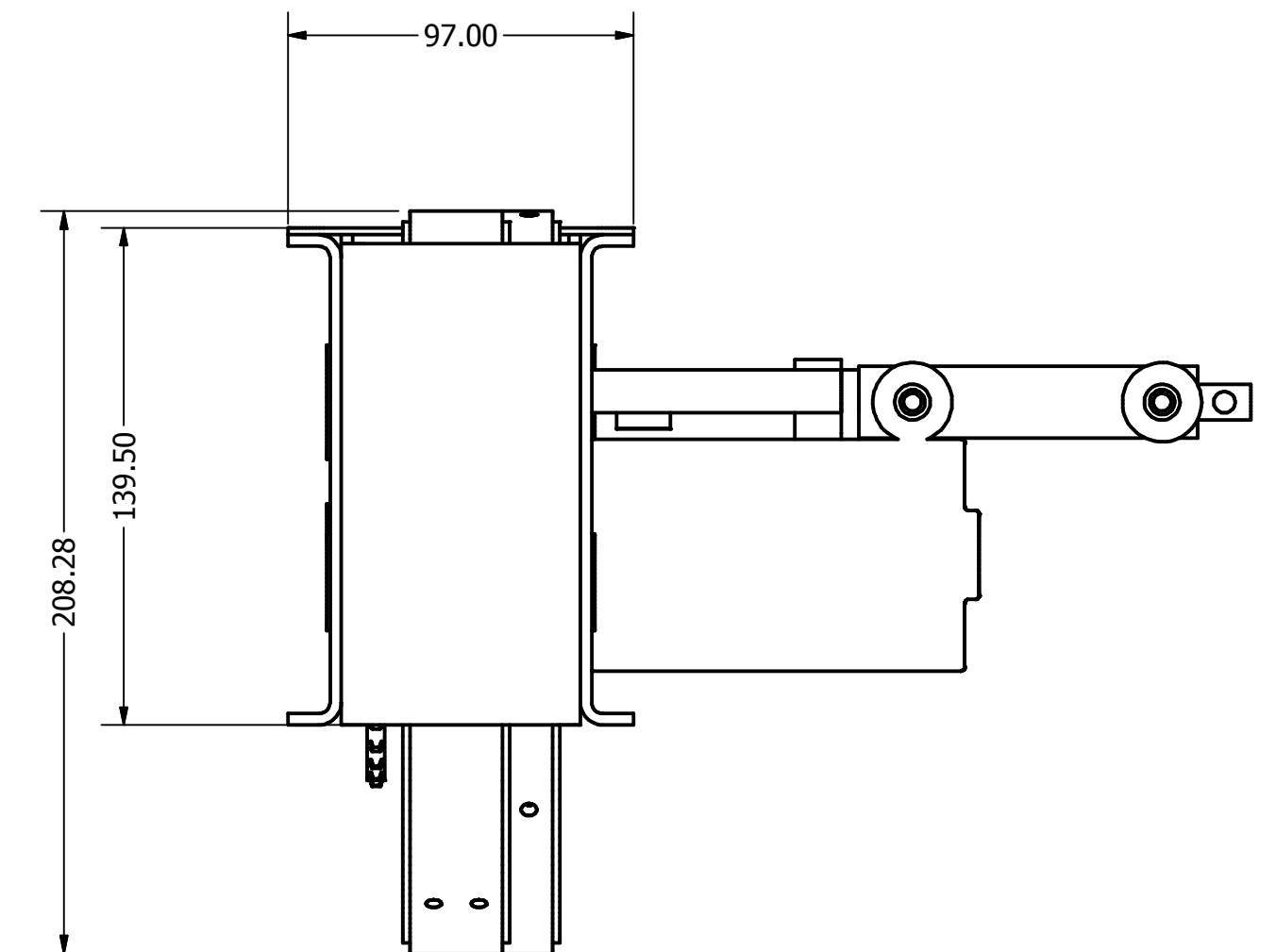
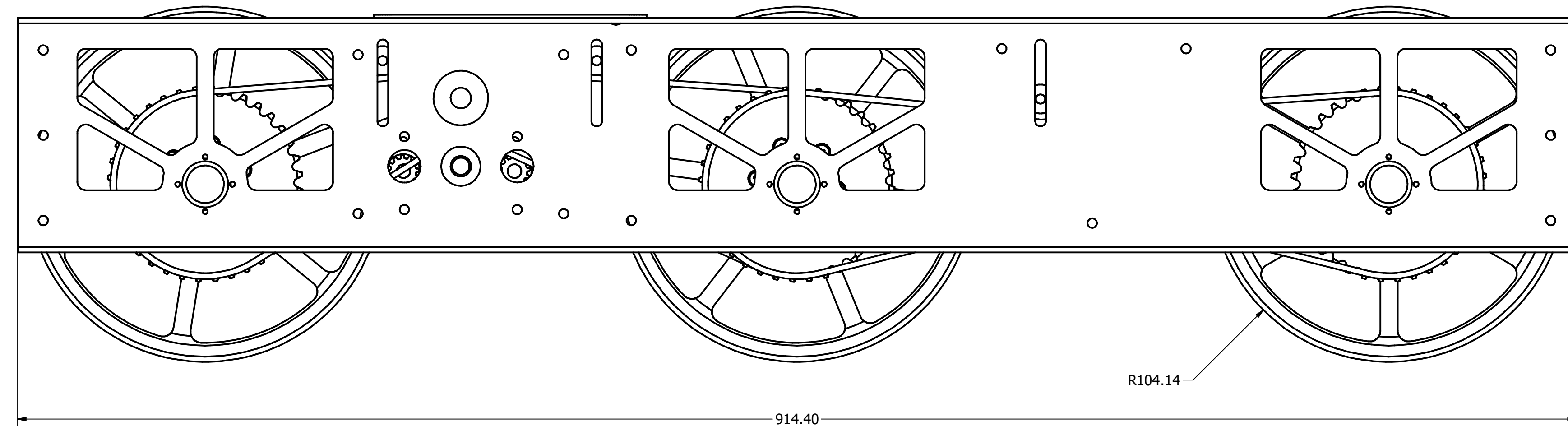
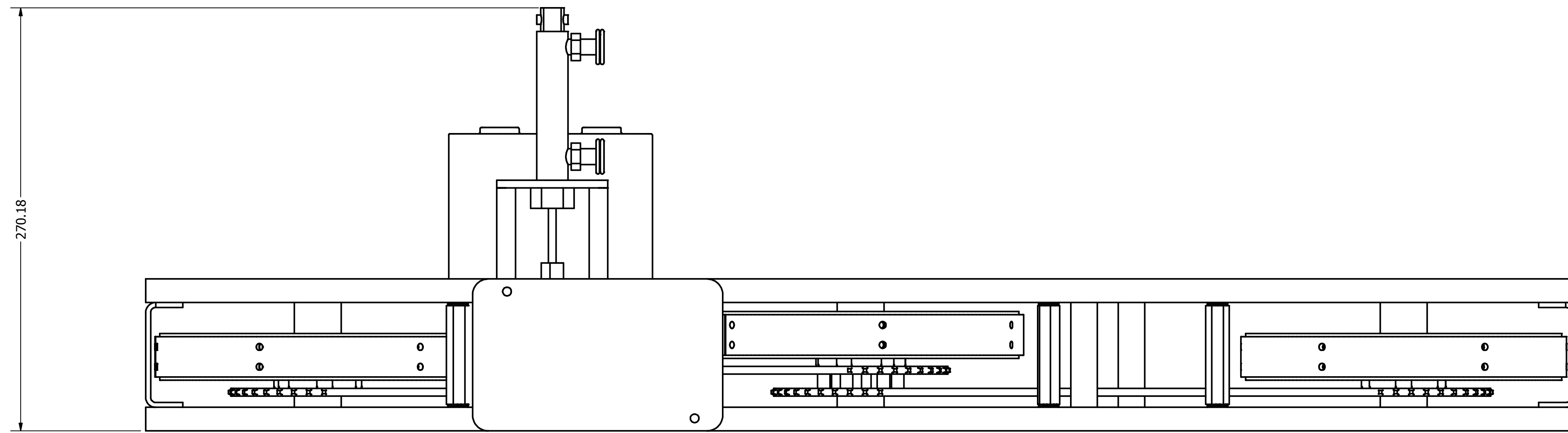
PRODUCED BY AN AUTODESK EDUCATIONAL PRODUCT

PRODUCED BY AN AUTODESK EDUCATIONAL PRODUCT



Parts List			
ITEM	QTY	PART NUMBER	DESCRIPTION
1	1	08-010-005	WHEEL CHASSIS
2	1	08-035-019	DRIVE MOTOR WITH GEARS
3	1	08-015-008	MOTOR WHEEL
4	2	08-015-005	END WHEEL
5	6	08-015-012	SPROCKET
6	2	08-015-014	SPACER
7	2	08-015-015	SPACER
8	1	08-015-016	SPACER
9	1	08-015-017	SPACER
10	1	08-010-007	TENSIONER
11	1	08-035-028	CHAIN
12	1	08-035-029	CHAIN
13	1	08-035-030	CHAIN
14	1	08-045-092	TRANSMISSION CYLINDER

DRAWN Kevin Aliff	2/25/2008	TITLE	
CHECKED		TEAM 342 ROBOT DRIVETRAIN ASSEMBLY	
QA		SIZE	DWG NO
MFG		D	08-010-011
APPROVED		SCALE	REV



Parts List			
ITEM	QTY	PART NUMBER	DESCRIPTION
1	1	08-010-005	WHEEL CHASSIS
2	1	08-035-019	DRIVE MOTOR WITH GEARS
3	1	08-015-008	MOTOR WHEEL
4	2	08-015-005	END WHEEL
5	6	08-015-012	SPROCKET
6	2	08-015-014	SPACER
7	2	08-015-015	SPACER
8	1	08-015-016	SPACER
9	1	08-015-017	SPACER
10	1	08-010-007	TENSIONER
11	1	08-035-028	CHAIN
12	1	08-035-029	CHAIN
13	1	08-035-030	CHAIN
14	1	08-045-092	TRANSMISSION CYLINDER

DRAWN Kevin Aliff	2/25/2008	TITLE	
CHECKED		TEAM 342 ROBOT DRIVETRAIN ASSEMBLY	
QA		SIZE D	DWG NO 08-010-011
MFG		SCALE	REV
APPROVED		SHEET 2 OF 2	